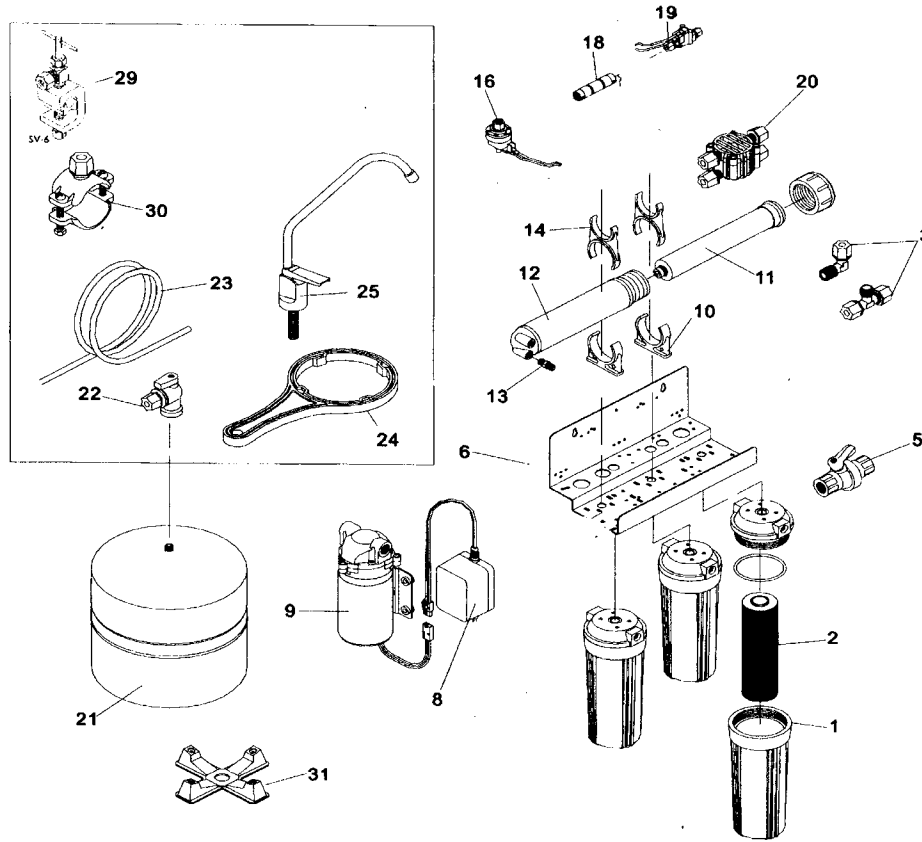


# VECTAPURE II™ and WR2 SERIES RESIDENTIAL REVERSE OSMOSIS SYSTEMS PARTS LIST



KEY	DESCRIPTION	PART NUMBER	COMMENT	KEY	DESCRIPTION	PART NUMBER	COMMENT
1	Filter housing - clear	HE1014CW-U		14	Mounting clips	WP-225	
	Filter housing - white	HE1014WW-U					
2	Cartridge, 5 mic. sediment	PP10-05	RO4052H, RO4152H	16	Low pressure switch	RO-SWI-L	RO4152H only
	Cartridge, Carbon	CBC-5CTO	All models	18	Flow restrictor	EA04-1-500	EA04-1-800 (Pump model)
				19	High pressure switch	RO-SWI-H	RO4152H only
3	Male elbow, push-on, 1/4"	A4ME4		20	4-way shutoff valve	ROS002	
	Tee, push-on, 1/4"	A4TU4		21	RO storage tank	ROT-4	
5	Sani-purge valve	A6HVUC6		22	Tank valve, push-on, 1/4"	EA3931	
6	Mounting bracket	BK3R-3MW			Tank valve, push-on, 3/8"	EA3931	
8	Transformer	LSA5436ADT	RO4152H only	23	PE tube - 1/4"	3634100	
9	Booster pump	PUMPAC-110T	RO4152H only		PE tube - 3/8"	3636100	
10	Mounting clips	WP-25		24	Plastic wrench	HAN-06W	
11	Membrane	BME1812R75		25	Faucet	WDF-103LBTA	
12	Membrane housing	HM251		29	Saddle valve	SV-6	
13	Check valve	CVL1814E2		30	Drain saddle	WP-14EZ	
N/S	Membrane housing o-ring	RO-0202		N/S	Filter housing o-ring	RKE001 RKE020HE	Dual O-ring style